

Parts Catalog

MODEL

FB460V-X

FB460V-X

PRODUCT CODE

316701A

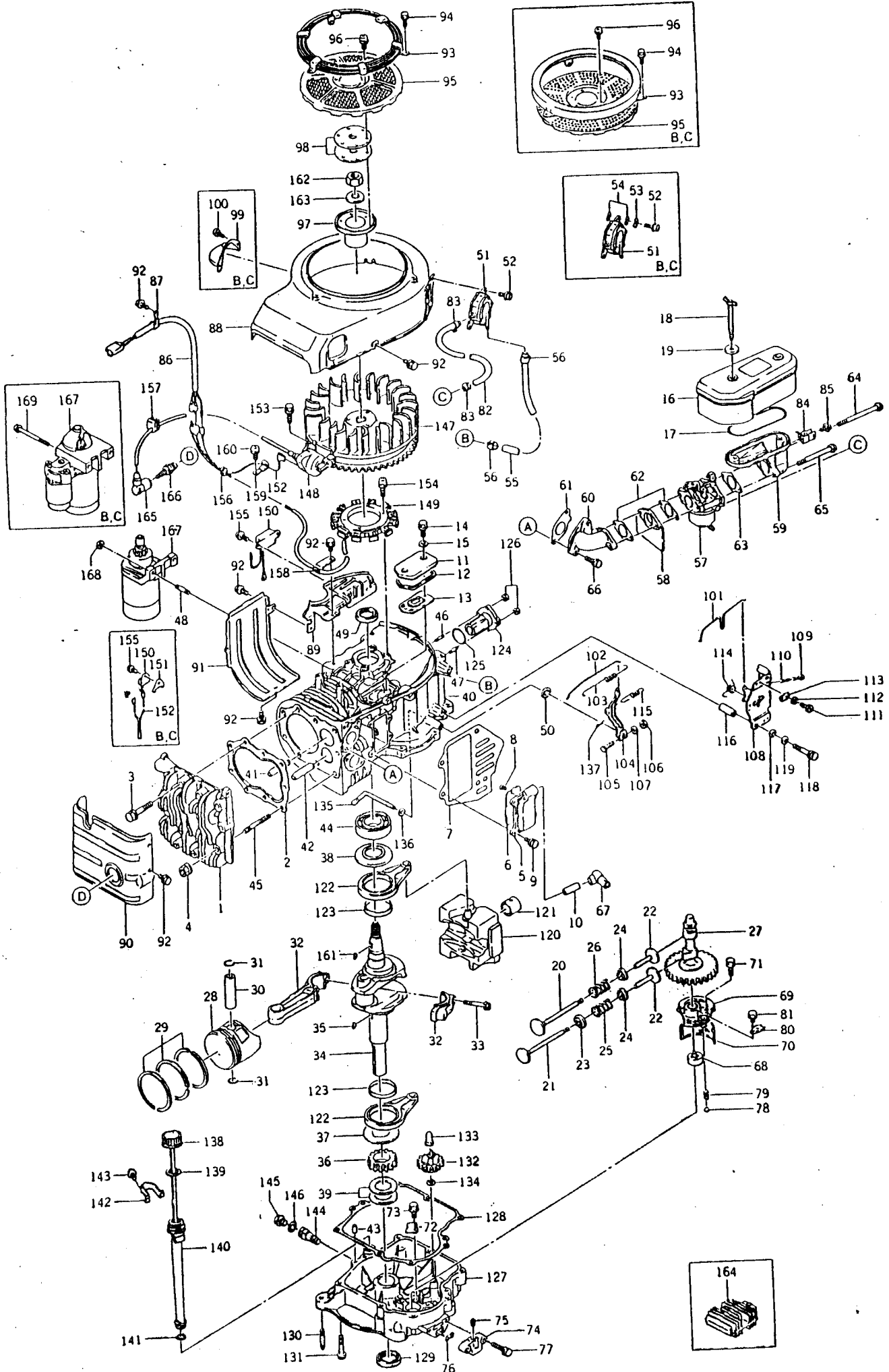
FB460V-AS00, BS00, CS00

JOHN DEERE



© KAWASAKI HEAVY INDUSTRIES, LTD.
ENGINE DIVISION
870730 Printed in Japan

FB460V-X 316701A
FB460V-X FB460V-AS00,BS00,CS00



FB460V-X 316701A (A)
 FB460V-X FB460V-AS00,BS00,CS00(A,B,C)

Ref.No.	Part No.	Part Name	Quantity					Remarks
			A	B	C			
1	11001-2076	HEAD, cylinder	1	1				
	11001-2102	HEAD, cylinder			1			
2	11004-2079	GASKET, head	1	1	1			
3	130G1055	BOLT (10x55)	6	6	6			
4	92015-2115	NUT	3	3	3			
5	49108-2011	COVER, valve chamber	1	1	1			
6	14025-2143	COVER	1	1	1			
7	11009-2502	GASKET	1	1	1			
8	314405-3092A	SCREW	2	2	2			
9	130G0616	BOLT (6x16)	4	4	4			
10	92059-2142	TUBE	1	1	1			
11	14025-2040	COVER	1	1	1			
12	11009-2339	GASKET	1	1	1			
13	14069-2062	BREATHER	1	1	1			
14	315501-5381A	BOLT	2	2	2			
15	312200-7415-02	GASKET	2	2	2			
16	11010-2222	AIR FILTER ASSY	1					Fig. A-1
	11010-2291	AIR FILTER ASSY		1	1			Fig. A-1
17	11009-2443	GASKET	1	1	1			
18	92002-2230	BOLT	2	2	2			
19	92022-2179	WASHER	2					
	92022-2220	WASHER		2	2			
20	12004-2076	VALVE, intake	1	1	1			
21	12005-2066	VALVE, exhaust	1	1	1			
22	12032-2058	TAPPET	2	2	2			
23	12039-2052	ROTATOR	1	1	1			
24	39108-2054	RETAINER, spring	2	2	2			
25	49078-2058	SPRING, valve	1	1	1			
26	49078-2059	SPRING, valve	1	1	1			
27	12044-2109	SHAFT, cam	1	1				
	12044-2148	SHAFT, cam			1			
28	13001-2084	PISTON	1	1	1			S.T.D
	13029-2019	PISTON	AR	AR	AR			O/S 0.25mm
	13029-2020	PISTON	AR	AR	AR			O/S 0.50mm
	13027-2001	PISTON	AR	AR	AR			O/S 0.75mm
29	13008-6001	PISTON RING SET	1	1	1			S.T.D
	13008-6002	PISTON RING SET	AR	AR	AR			O/S 0.25mm
	13008-6003	PISTON RING SET	AR	AR	AR			O/S 0.50mm
	13008-6004	PISTON RING SET	AR	AR	AR			O/S 0.75mm
30	13002-2066	PIN, piston	1	1	1			
31	92033-2066	RING, snap	2	2	2			
32	13251-6005	CONNECTING ROD ASSY	1	1	1			S.T.D

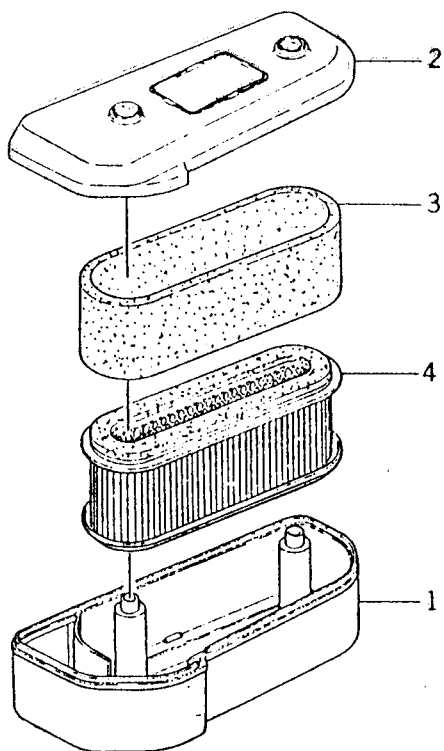
FB460V-X 316701A (A)
 FB460V-X FB460V-AS00,BS00,CS00(A,B,C)

Ref.No.	Part No.	Part Name	Quantity						Remarks
			A	B	C				
32	13251-6007	CONNECTING ROD ASSY	AR	AR	AR				U/S 0.50mm
33	315801-3245A	.BOLT, connecting rod	2	2	2				
34	49119-2115	CRANK SHAFT ASSY	1	1					
	49119-2133	CRANK SHAFT ASSY			1				
35	510A5100	KEY	1	1	1				
36	59056-2018	GEAR, helical	1	1					
	59056-2105	GEAR, helical			1				
37	92026-2156	SPACER	1	1	1				
38	92026-2164	SPACER	1	1	1				
39	92025-2145	SHIM	AR	AR	AR				t=1.18
	92025-2146	SHIM	AR	AR	AR				t=1.25
	92025-2147	SHIM	AR	AR	AR				t=1.32
	92025-2148	SHIM	AR	AR	AR				t=1.39
	92025-2149	SHIM	AR	AR	AR				t=1.46
	92025-2150	SHIM	AR	AR	AR				t=1.53
	92025-2151	SHIM	AR	AR	AR				t=1.60
	92025-2152	SHIM	AR	AR	AR				t=1.67
	92025-2153	SHIM	AR	AR	AR				t=1.74
40	49120-6001	CRANK CASE COMP	1						
	49120-6025	CRANK CASE COMP		1	1				
41	49002-2070	.GUIDE, valve (IN)	1	1	1				
42	49002-2071	.GUIDE, valve (EX)	1	1	1				
43	551A0814	PIN, dowel	2						
	92043-2111	PIN		2					
	92043-1263	PIN			2				
44	601A6207	BEARING, ball (6207)	1	1	1				
45	92004-2082	STUD	3	3	3				
46	171G0612	STUD	2						
47	92004-2083	STUD	2	4	4				
48	172G0822	STUD	2						
49	92049-2096	SEAL, oil	1	1	1				
50	92049-2097	SEAL, oil	1	1	1				
51	49040-2058	FUEL PUMP ASSY	1	1	1				Fig. P-1
52	130B0610	.BOLT (6x10)	2						
	130B0614	BOLT (6x14)		2	2				
53	311509-3595-00	WASHER		2	2				
54	92022-553	WASHER		4	4				
55	705A061000	TUBE, braid	1	1	1				t=65mm
56	317196-6812-00	CLIP	2	2	2				
57	15001-2382	CARBURETOR ASSY	1						Fig. C-1
	15001-2425	CARBURETOR ASSY		1					Fig. C-1
	15001-2720	CARBURETOR ASSY			1				Fig. C-1
58	16073-2091	INSULATOR	1	1	1				

FB460V-X 316701A (A)
 FB460V-X FB460V-AS00,BS00,CS00(A,B,C)

Ref.No.	Part No.	Part Name	Quantity			Remarks
			A	B	C	
131	130G0845	BOLT (8x45)	8	8	8	
132	49110-2067	GOVERNOR ASSY	1	1	1	
133	42036-2060	SLEEVE	1	1	1	
134	314401-5135A	WASHER	1	1	1	
135	39003-2062	ARM, pivot	1	1	1	
136	410B0600	WASHER	1	1	1	
137	554A0600	PIN, snap	1	1	1	
138	52005-2058	GAUGE	1	1	1	
139	11009-2346	GASKET	1	1	1	
140	59231-2059	FILLER	1	1	1	
141	670D2016	O-RING	1	1	1	
142	92037-2160-9H	CLAMP	1	1	1	
143	130B0508	BOLT (5x8)	1	1	1	
144	59071-2063	JOINT	1	1		
	59071-2074	JOINT			1	
145	92066-2092	PLUG	1	1	1	
146	317370-7883-00	GASKET	1	1	1	
147	21193-2001	FLYWHEEL COMP	1	1	1	
148	21121-2008	COIL, ignition	1	1	1	
149	59031-2003	COIL, charging	1	1	1	
150	21119-2007	IGNITER	1			
	21119-2095	IGNITER		1	1	
151	310702-8137A	BRACKET		1	1	
152	26011-2065	WIRE, lead	1			
	26011-2119	WIRE, lead		1	1	
153	130B0525	BOLT (5x25)	2	2	2	
154	224B0620	SCREW (6x20)	4	4	4	
155	234B0408	SCREW (4x8)	2	1	1	
156	92071-2099	GROMMET	1	1	1	
157	92071-2100	GROMMET	1	1	1	
158	92037-2158	CLAMP	1	1	1	
159	311901-8161A	CLAMP	1	1	1	
160	234B0408	SCREW (4x8)	1	1	1	
161	510A5100	KEY	1	1	1	
162	314G1800	NUT (18mm)	1	1	1	
163	92022-2178	WASHER	1	1	1	
164	21066-2004	REGULATOR, voltage	1	1	1	
165	21130-2060	CAP, plug	1	1	1	
166	92070-2072	PLUG, spark (NGK BMR4A)	1	1	1	
167	21163-2065	ELECTRIC STARTER ASSY	1			Fig. S-1
	21163-2070	ELECTRIC STARTER ASSY		1	1	Fig. S-2
168	92015-1143	NUT	2			
169	92002-2278	BOLT		2	2	

Fig. A-1 AIR FILTER



Ref.No.	Part No.	Part Name	Quantity					Remarks
			A	B	C			
	11010-2222	AIR FILTER ASSY	1					
	11010-2291	AIR FILTER ASSY		1	1			
A-1- 1	11011-2016	•CASE, air filter	1					
	11011-2174	•CASE, air filter		1	1			
A-1- 2	11012-2083	•CAP, air filter	1					
	11012-2192	•CAP, air filter		1	1			
A-1- 3	11013-2020	•ELEMENT, air filter	1	1	1			
A-1- 4	11013-2021	•ELEMENT, air filter	1	1	1			

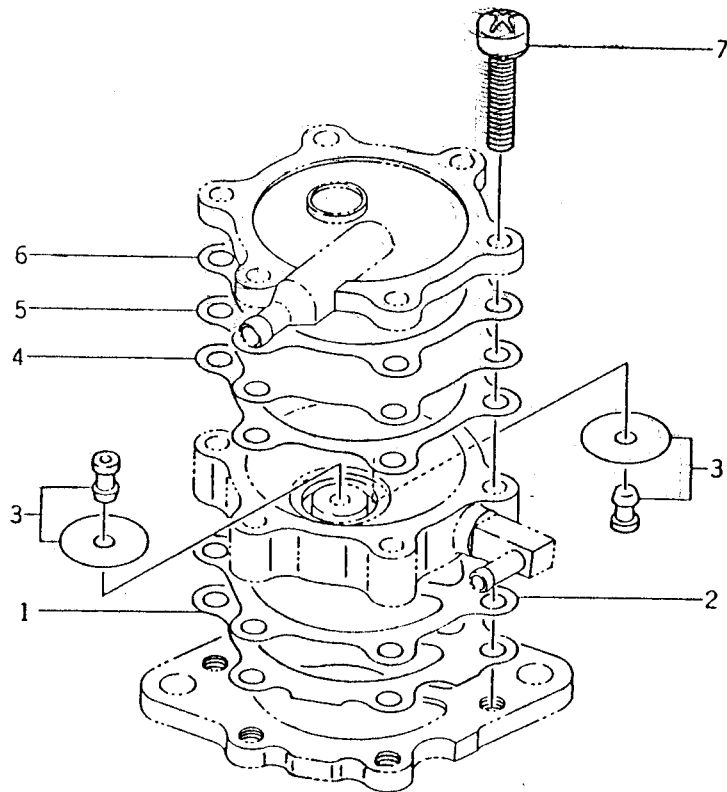
FB460V-X 316701A (A)
 FB460V-X FB460V-AS00,BS00,CS00(A,B,C)

Ref. No.	Part No.	Part Name	Quantity						Remarks
			A	B	C				
59	16060-2108	PIPE, intake	1	1	1				
60	16060-2109	PIPE, intake	1	1	1				
61	11009-2342	GASKET	1	1	1				
62	11009-2343	GASKET	2	2	2				
63	11009-2344	GASKET	1	1	1				
64	92002-2254	BOLT	1	1	1				
65	92002-2253	BOLT	1	1	1				
66	130G0825	BOLT (8x25)	2	2	2				
67	59071-2062	JOINT	1	1	1				
68	16082-2057	OIL PUMP ASSY	1	1	1				
69	16142-6001	PUMP COVER COMP	1	1	1				
70	49065-2056	FILTER, oil	1	1	1				
71	130G0825	BOLT (8x25)	3	3	3				
72	13169-2359	PLATE	1	1	1				
73	130B0508	BOLT (5x8)	1	1	1				
74	14025-2145	COVER	1	1	1				
75	352101-4145A	PLUG	1	1					
	92066-2102	PLUG			1				
76	92055-2063	O-RING	1	1	1				
77	130B0830	BOLT (8x30)	2	2	2				
78	600A1000	BALL, steel	1	1	1				
79	92081-2216	SPRING	1	1	1				
80	13169-2360	PLATE	1	1	1				
81	130B0610	BOLT (6x10)	1	1	1				
82	705A061000	TUBE, braid	1	1	1				∅=210mm
83	317196-6812-00	CLIP	2	2	2				
84	92037-2019	CLAMP	1	1	1				
85	224B0508	SCREW (5x8)	1	1	1				
86	26001-2113	HARNESS	1	1	1				
87	313646-8161-00	CLAMP	1	1					
88	59066-2264-9H	HOUSING, fan	1						
	59066-2294-9H	HOUSING, fan		1	1				
89	59066-2238-9H	HOUSING, fan	1						
	59066-2295-9H	HOUSING, fan		1	1				
90	49089-2168-9H	SHROUD	1	1	1				
91	49089-2169-9H	SHROUD	1						
	49089-2199-9H	SHROUD		1	1				
92	130B0610	BOLT (6x10)	11	11					
	130G0610	BOLT (6x10)			11				
93	55020-2053	GUARD	1						
	55020-2060	GUARD		1	1				
94	130B0508	BOLT (5x8)	3	3	3				
95	14037-2084-9H	SCREEN	1						

FB460V-X 316701A (A)
 FB460V-X FB460V-AS00,BS00,CS00(A,B,C)

Ref.No.	Part No.	Part Name	Quantity						Remarks
			A	B	C				
95	14037-2104-9H	SCREEN		1	1				
96	224B0616	SCREW (6x16)	3	3	3				
97	11043-2163	BRACKET	1	1	1				
98	92025-2003	SHIM	AR	AR	AR				
99	14024-2028-9H	COVER		1	1				
100	234B0408	SCREW (4x8)		2	2				
101	16169-2074	LINK, choke	1	1	1				
102	16171-2001	LINK	1	1	1				
103	92081-2213	SPRING	1	1	1				
104	21187-2052	GOVERNOR ARM COMP	1	1	1				
105	92002-2269	BOLT	1	1	1				
106	311B0600	NUT (6mm)	1	1	1				
107	411B0600	WASHER	1	1	1				
108	49113-2058	CONTROL PANEL ASSY	1	1					
	49113-2065	CONTROL PANEL ASSY			1				
109	214B0425	•SCREW (4x25)	1	1	1				
110	314401-5321B	•SPRING	1	1	1				
111	315501-5381A	•BOLT	1	1					
	310701-1225A	•BOLT			1				
112	411B0500	•WASHER	1	1					
113	92037-2020	•CLAMP	1	1	1				
114	92081-2316	•SPRING	1	1	1				
115	92081-2214	SPRING	1	1					
	39129-2010	SPRING			1				
116	92027-2071	COLLAR	2	2	2				
117	311509-3595-00	WASHER	2	2	2				
118	112B0650	BOLT (6x50)	2	2	2				
119	461F0600A	WASHER, spring	2	2	2				
120	13042-6005	WEIGHT COMP	1						
	13042-6006	WEIGHT COMP		1	1				
121	92141-2007	•BEARING, plain	1						
	92141-2097	•BEARING, plain		1	1				
122	46102-6001	ROD ASSY	2	2	2				
123	92141-2094	•BEARING, plain	2	2	2				
124	13107-2082	SHAFT	1						
	13107-2091	SHAFT		1	1				
125	92055-2062	O-RING	1						
	92055-2072	O-RING		1	1				
126	92015-1193	NUT	4	4	4				
127	49015-6001	CRANK CASE COVER COMP	1	1	1				
128	11009-2337	GASKET	1	1	1				
129	92049-2104	SEAL, oil	1	1	1				
130	92004-2081	STUD	2						

Fig. P-1 FUEL PUMP



Ref.No.	Part No.	Part Name	Quantity			Remarks
			A	B	C	
	49040-2058	FUEL PUMP ASSY	1	1	1	
P-1- 1	11009-2353	.GASKET	1	1	1	
P-1- 2	43028-2052	.DIAPHRAGM	1	1	1	
P-1- 3	49116-2051	.VALVE ASSY	2	2	2	
P-1- 4	11009-2352	.GASKET	1	1	1	
P-1- 5	43028-2051	.DIAPHRAGM	1	1	1	
P-1- 6	11009-2351	.GASKET	1	1	1	
P-1- 7	92009-2212	.SCREW	6	6	6	

Fig. C-1 CARBURETOR

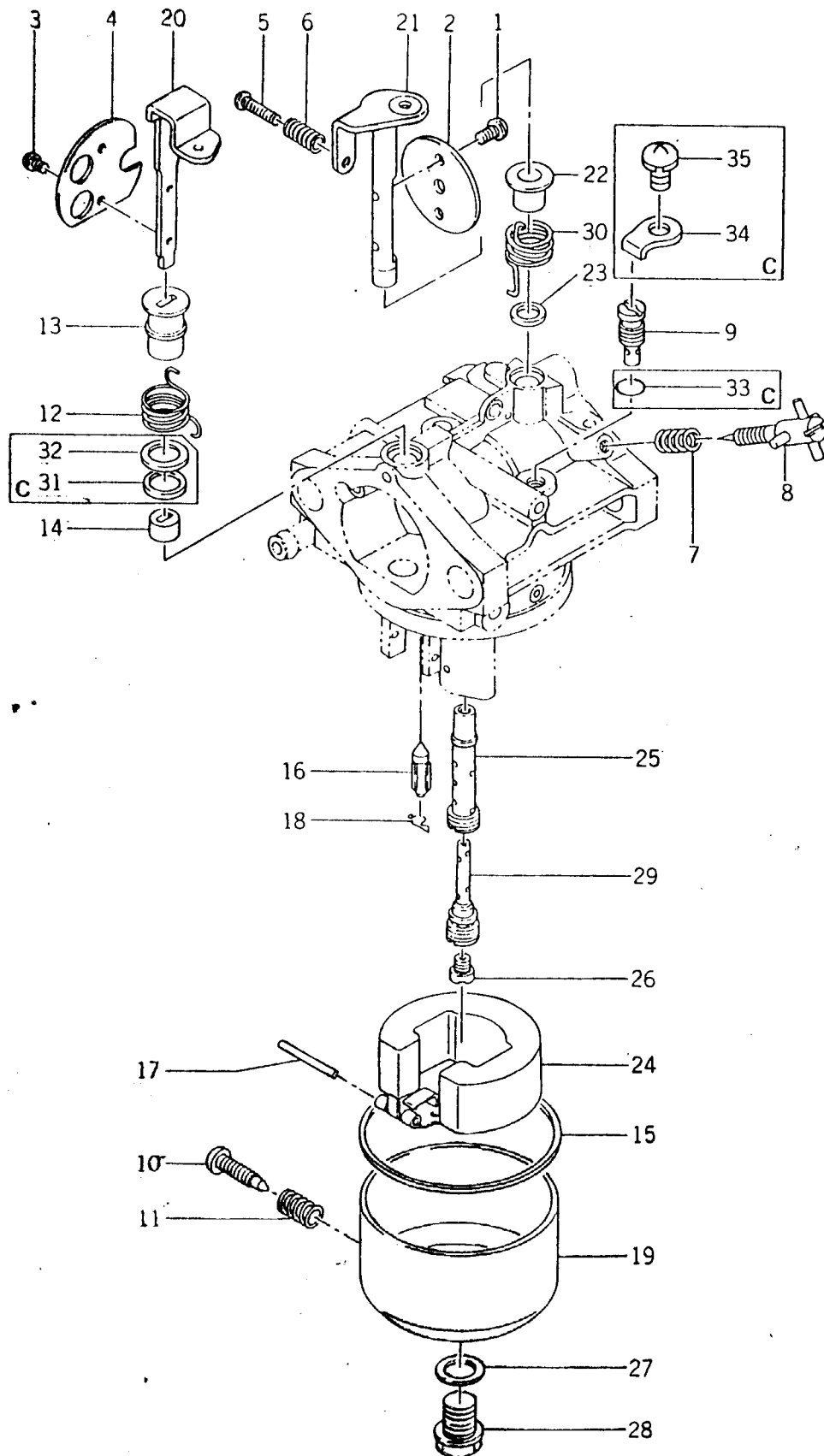
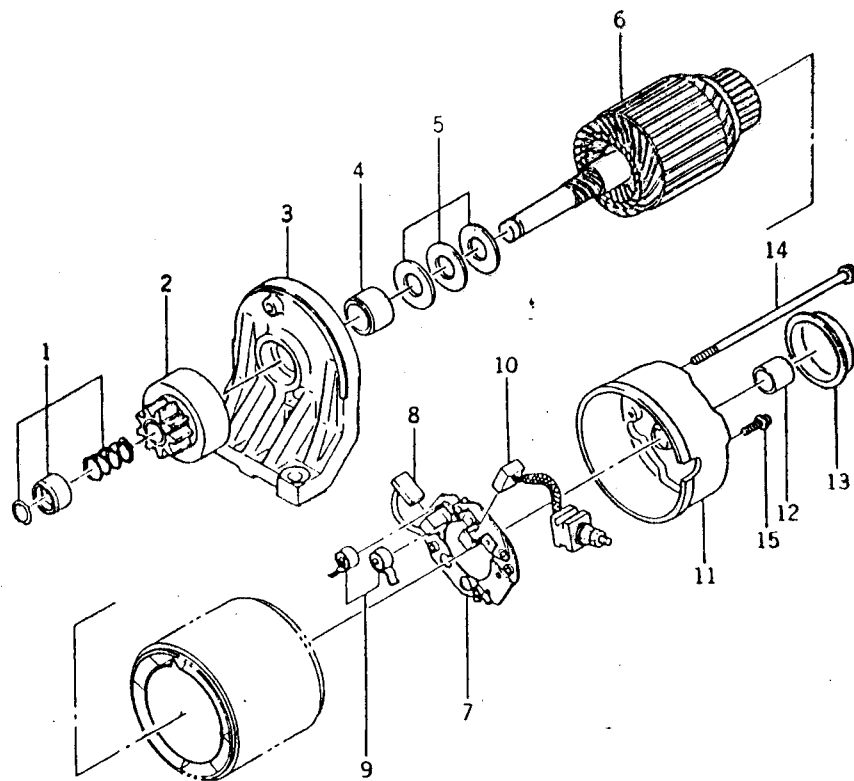


Fig. C-1 CARBURETOR

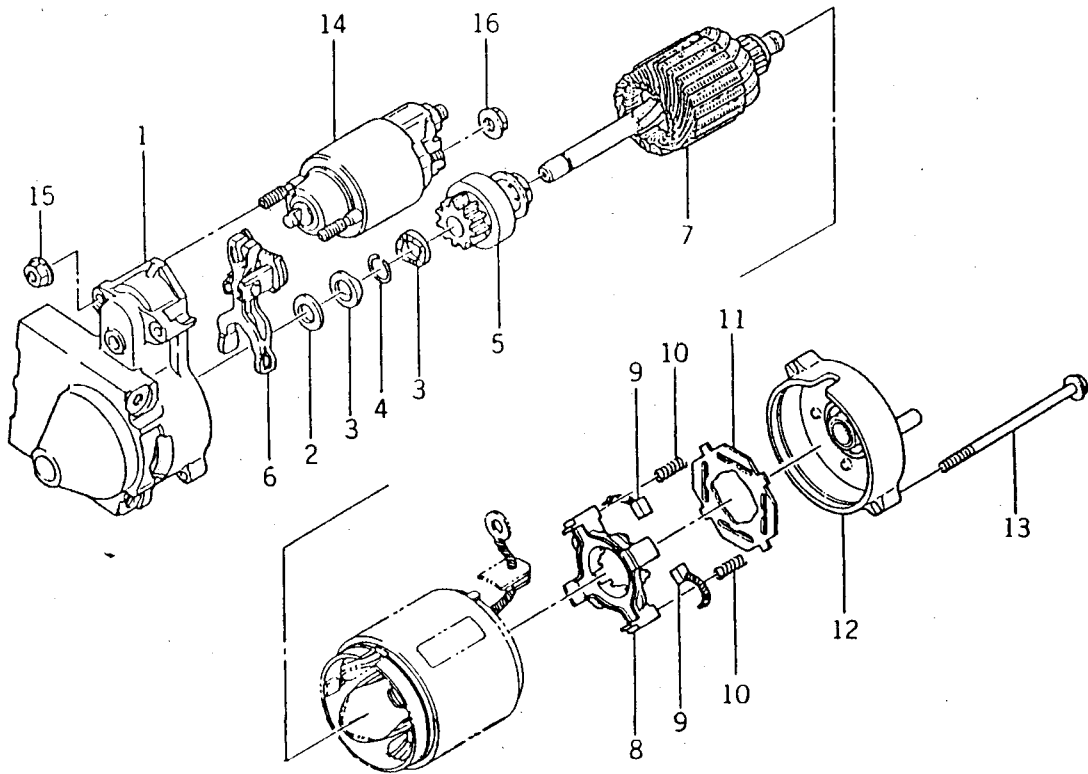
Ref.No.	Part No.	Part Name	Quantity				Remarks
			A	B	C		
	15001-2382	CARBURETOR ASSY	1				
	15001-2425	CARBURETOR ASSY		1			
	15001-2720	CARBURETOR ASSY			1		
C-1- 1	316550-6137A	•SCREW	2	2	2		
C-1- 2	16025-2005	•VALVE, throttle (#100)	1				
	16025-2101	•VALVE, throttle (#120)		1	1		
C-1- 3	314572-6137A	•SCREW	2	2	2		
C-1- 4	16126-2011	•VALVE, choke-	1				
	16126-2105	•VALVE, choke		1	1		
C-1- 5	92009-2079	•SCREW	1	1	1		
C-1- 6	313650-6108-00	•SPRING	1	1	1		
C-1- 7	312750-6116-00	•SPRING	1	1	1		
C-1- 8	16014-2055	•SCREW, adjuster	1	1	1		
C-1- 9	317490-6112-00	•JET, pilot (#47.5)	1				
	319201-6112-02	•JET, pilot (#62.5)		1			
	92064-2059	•JET, pilot (#65)			1		
C-1-10	315470-6133A	•SCREW, drain	1	1	1		
C-1-11	313122-6116-00	•SPRING	1	1	1		
C-1-12	92081-2Q78	•SPRING	1	1			
	92144-2160	•SPRING			1		
C-1-13	92027-2026	•RING	1	1			
	92143-2007	•RING			1		
C-1-14	314598-6138A	•RING	1	1	1		
C-1-15	313650-6128-00	•GASKET	1	1	1		
C-1-16	16030-2021	•VALVE, needle	1				
	16030-2067	•VALVE, needle		1	1		
C-1-17	314499-6127A	•PIN, float	1	1	1		
C-1-18	314595-6134A	•CLIP	1	1			
	315721-6134A	•CLIP			1		
C-1-19	16020-2051	•CHAMBER, float	1	1			
	16020-2094	•CHAMBER, float			1		
C-1-20	16041-2010	•SHAFT, choke	1	1	1		
C-1-21	16041-2009	•SHAFT, throttle	1	1	1		
C-1-22	92027-2025	•RING	1	1	1		
C-1-23	316626-6206A	•SEAL	1	1	1		
C-1-24	315801-6126A	•FLOAT	1	1			
	16031-2066	•FLOAT			1		
C-1-25	49121-2010	•NOZZLE, main (#6A)	1				
	49121-2077	•NOZZLE, main (#13A)		1	1		
C-1-26	92063-2010	•JET, main (#112.5)	1	1	1		
C-1-27	318190-6159-00	•WASHER	1	1	1		
C-1-28	314486-6143A	•BOLT	1	1	1		
C-1-29	49123-2016	•HOLDER, main jet	1	1			
	49123-2058	•HOLDER, main jet			1		
C-1-30	92081-2077	•SPRING	1	1	1		
C-1-31	92093-2069	•SEAL			1		
C-1-32	92022-2242	•WASHER			1		
C-1-33	16038-024	•GASKET			1		
C-1-34	13183-2252	•PLATE			1		
C-1-35	92009-2244	•SCREW			1		

Fig. S-1 ELECTRIC STARTER



Ref.No.	Part No.	Part Name	Quantity					Remarks
			A	B				
	21163-2065	ELECTRIC STARTER ASSY	1					
S-1- 1	317103-8331B	.PINION STOPPER SET	1					
S-1- 2	317221-8312A	.CLUTCH ASSY	1					
S-1- 3	16146-2063	.COVER ASSY (F)	1					
S-1- 4	317221-8348-00	..METAL, front cover	1					
S-1- 5	92022-2187	.WASHER KIT	1					
S-1- 6	21080-2051	.ARMATURE	1					
S-1- 7	14079-2053	.BRUSH HOLDER ASSY	1					
S-1- 8	319203-8326-00	..BRUSH (-)	1					
S-1- 9	21040-2051	..SPRING, brush	3					
S-1-10	319203-8325-00	.BRUSH (+)	2					
S-1-11	16146-2064	.COVER ASSY (R)	1					
S-1-12	317299-8356-01	..METAL, rear cover	1					
S-1-13	317224-8375A	.COVER, dust	1					
S-1-14	92002-2241	.BOLT	2					
S-1-15	232B 0412	.SCREW (4x12)	2					

Fig.S-2 ELECTRIC STARTER



Ref.No.	Part No.	Part Name	Quantity				Remarks
			A	B	C		
	21163-2070	ELECTRIC STARTER ASSY		1	1		
S-2- 1	16146-2076	•COVER ASSY		1	1		
S-2- 2	92022-2218	•WASHER		1	1		
S-2- 3	32085-2066	•STOPPER		2	2		
S-2- 4	92033-2081	•RING, snap		1	1		
S-2- 5	13081-2085	•CLUTCH ASSY		1	1		
S-2- 6	13168-2131	•LEVER		1	1		
S-2- 7	21080-2054	•ARMATURE		1	1		
S-2- 8	13091-2068	•HOLDER, brush		1	1		
S-2- 9	21039-2059	•BRUSH		4	4		
S-2-10	21040-2052	•SPRING, brush		4	4		
S-2-11	16073-2098	•INSULATOR		1	1		
S-2-12	16146-2077	•COVER ASSY		1	1		
S-2-13	92002-2277	•BOLT		2	2		
S-2-14	27010-2122	•SWITCH ASSY		1	1		
S-2-15	92015-2146	•NUT		2	2		
S-2-16	92015-2147	•NUT		1	1		